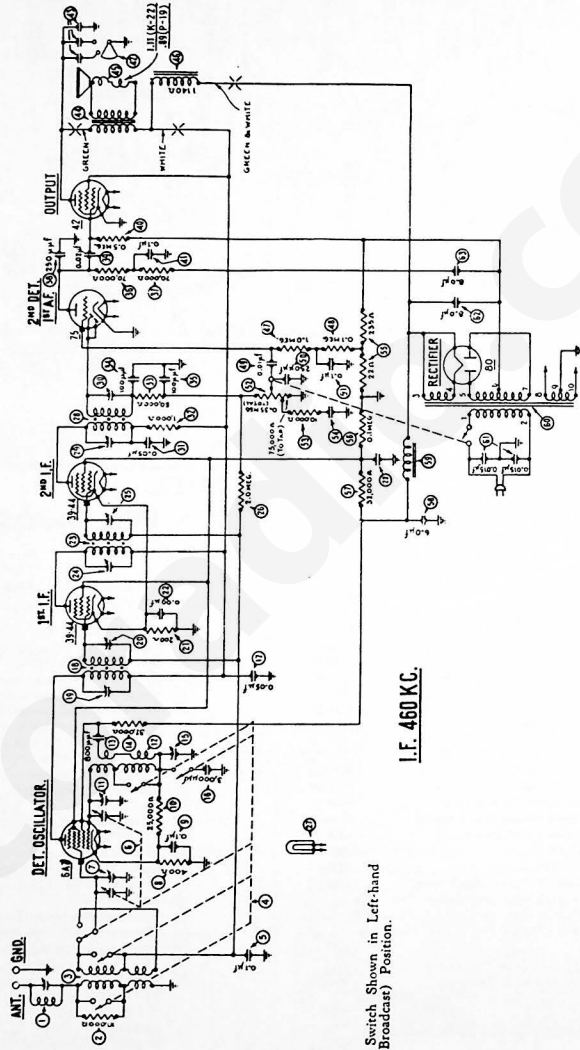


# MODEL 45

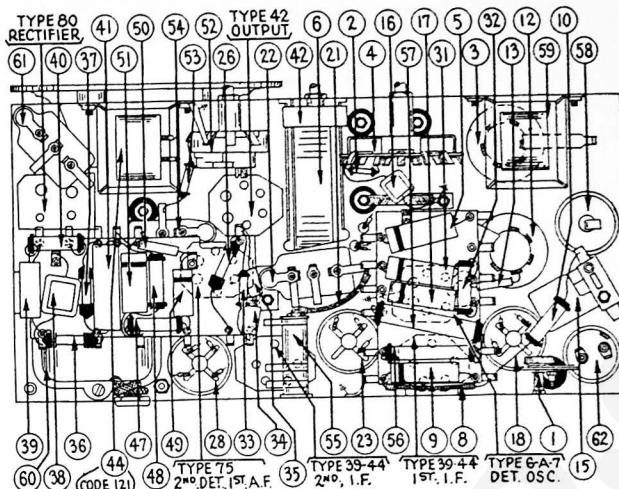


Waveband Switch Shown in Left-hand (Standard Broadcast) Position.

I.F. 460 KC.

Note: Resistor 21 is 500 ohms in current production.

# MODEL 45



## REPLACEMENT PARTS— MODEL 45

No. on Figs.	Description	Part No.	No. on Figs.	Description	Part No.
1	Wave Trap.....	38-5199	33	Condenser (.0025 Mfd. Mica).....	5858
2	Resistor (10,000 ohms) (Brown-Black-Orange).....	4412	34	Condenser (.02 Mfd. Tubular).....	30-4113
3	Antenna Transformer.....	32-1360	40	Resistor (5 meg.) (Yellow-White-Yellow).....	4517
4	Wave Band Switch.....	42-1062	41	Condenser (.1 Mfd.) (Tubular).....	30-4170
5	Condenser (.1 Mfd.) (Tubular).....	30-4122	42	Tone Control.....	30-4178
6	Tuning Condenser Assembly.....	31-1169	43	Condensers.....	Inside 42
7	Compensating Condenser (Det.).....	Part of 6	44	Output Transformer (Code 121).....	32-7041
8	Resistor (400 ohms—Flexible wire wound).....	33-3016		* Output Transformer (Code 122).....	2580
9	Condenser (.1 Mfd.) (Tubular).....	30-4122	45	Voice Coil & Cone Assembly	
10	Resistor (25,000 ohms) (Red-Green-Orange).....	4516		P-19 (Compact).....	36-3027
11	Compensating Condenser (Osc. H. F.).....	Part of 6		K-22 (Lowboy).....	36-3174
12	Oscillator Transformer.....	32-1361	46	Field Coil and Pot Assembly	
13	Condenser (.0008 Mfd.—Mica).....	5878		P-19 (Compact).....	36-3298
14	Resistor (32,000 ohms) (Orange-Red-Orange).....	3525		K-22 (Lowboy).....	02767
15	Compensating Condenser (Osc. L. F.).....	04000-S	47	Resistor (1 meg.) (Brown-Black-Green).....	4409
16	Condenser (.003 Mfd.—Mica).....	7301	48	Resistor (.1 meg.) (White-White-Orange).....	4411
17	Condenser (.05 Mfd.—Tubular).....	30-4123	49	Condenser (.01 Mfd. Tubular).....	30-4124
18	1st I. F. Transformer.....	32-1362	50	Condenser (.00225 Mfd. Mica).....	5858
19	Compensating Condenser (1st I. F. Primary).....	Part of 18	51	Condenser (.1 Mfd. Tubular).....	30-4122
20	Compensating Condenser (1st I. F. Secondary).....	Part of 18	52	Volume Control and On-Off Switch.....	33-5066
21	Resistor (500 ohms—Flexible wire wound).....	6977	53	Resistor 10,000 ohms (Brown-Black-Orange).....	33-1000
22	Condenser (.09 Mfd. twin) (Bakelite block).....	4989-Z	54	Condenser (Code 121) (.05 Mfd.) (Bakelite Block).....	3615-W
23	2d I. F. Transformer.....	32-1363	55	Condenser (Code 122) (.09 Mfd.) (Bakelite Block).....	4989-A-M
24	Compensating Condenser (2d I. F. Primary).....	Part of 23	56	Voltage Divider (BC Resistor 22—235 ohms) (Wire wound).....	33-3037
25	Compensating Condenser (2d I. F. Secondary).....	Part of 23	57	Resistor .1 meg (White-White-Orange).....	3767
26	Resistor (2 megs.) (Red-Black-Green).....	5872	58	Resistor 32,000 ohms (Orange-Red-Orange).....	33-1026
27	Pilot Lamp.....	6608	59	Condenser (Electrolytic—6 Mfd.).....	30-3030
28	3d I. F. Transformer.....	32-1364	60	Filter Choke.....	32-7018
29	Compensating Condenser—3d I. F. Primary.....	Part of 28	61	Power Transformer.....	32-7226
30	Compensating Condenser—3d I. F. Secondary.....	Part of 28	62	Condenser (.015 Mfd. twin—Bakelite block).....	3793-E
31	Condenser (.05 Mfd. Tubular).....	30-4123	63	Condenser (Electrolytic 8—8 Mfd. 450 Volts).....	30-3028
32	Resistor (1,000 ohms) (Brown-Black-Red).....	5837		A. C. Cord and Plug Assembly.....	L-943-A
33	Resistor (50,000 ohms) (Green - Brown-Orange).....	4518		Tube Shield.....	26-1107
34	Condenser (.0001 Mfd. Mica).....	30-1031		Four Prong Socket.....	4954
35	Condenser (.0001 Mfd. Mica).....	30-1031		Five Prong Socket.....	4956
36	Resistor (70,000 ohms) (Violet-Black-Orange).....	5385		Six Prong Socket.....	6417
37	Resistor (70,000 ohms) (Violet-Black-Orange).....	5385		Seven Prong Socket.....	27-8006
				Speaker Socket (Lowboy set—code 123).....	4957
				Knob.....	27-4062
				Knob (Large) (Lowboy only).....	27-4051
				Dial Assembly.....	31-1206
				Dial Scale.....	27-8042
				Mounting screw (Compact set).....	W-1245
				Mounting Washer (Compact set).....	5062
				Foot (Rubber).....	27-4116

\*Does not appear in Fig. above.